

# AspiraVision Compact for CDM

## HID-AV C 35-70 /I CDM 220-240V 50/60Hz

AspiraVision is the mark of excellence in HID electronic gear technology – high-end, compact, lightweight and easy to use, with added features for optimal performance of 35, 50 and 70 W CDM lamps. The recently added switching function provides maximum flexibility for users by integrating three different wattage choices into a single driver.

### Product data

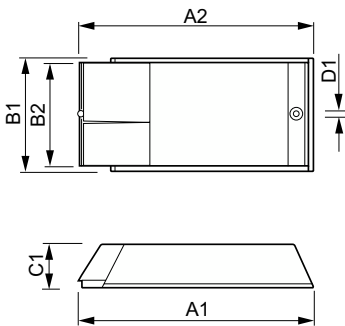
Operating and Electrical		Controls and Dimming	
Input Voltage	220 to 240 V	Control interface	-
Line Frequency	50 to 60 Hz	<b>Mechanical and Housing</b>	
Input frequency	50 to 60 Hz	Housing	/I
Earth leakage current (max.)	250 mA	Net Weight (Piece)	0.330 kg
Inrush current width	10 ms	<b>Approval and Application</b>	
Inrush current peak (max.)	8 A	Safety standard	EN 61347-2-12 and 2-1
Number of products on MCB (16 A type B) (nom.)	58	Approval marks	EMC HEE F-Marking CE marking ENEC certificate VDE certificate CB certificate VDE marking C-Tick certificate China quality certificate
Surge Protection (Common/Differential)	EN61547 (L-L 2 kV, L-G 4 kV) kV	CE mark	Yes
<b>Wiring</b>		Ambient temperature range	-20°C to 45°C
Cable length from device to lamp	2 m	<b>Product Data</b>	
Connector type	WAGO series 804	Order product name	HID-AV C 35-70 /I CDM 220-240V 50/60Hz
<b>Temperature</b>		Full product name	HID-AV C 35-70 /I CDM 220-240V 50/60Hz
T-case lifetime (nom.)	80 °C	Full EOC	871829123312100

## AspiraVision Compact for CDM

Order code	913700684066
Material no. (12 NC)	913700684066
Local order code	HIDAVTW3570I
Numerator – quantity per pack	1
EAN/UPC – Product/Case	8718291233121

Numerator – packs per outer box	12
EAN/UPC – Case	8718291233138

### Dimensional drawing



Product	D1	C1	A1	A2	B1
HID-AV C 35-70 /I CDM 220-240V 50/60Hz	4.8 mm	34.7 mm	189.2 mm	170.7 mm	83.5 mm

