

GEAR FOR EXPLOSION-PROOF LUMINAIRE

CAEX-02 LED



		EN IEC 60598	RoHS	IP54		-20°C ÷ +40°C	WARRANTY 5 years	MAX 58W LED
---	---	-----------------	------	------	---	---------------	---------------------	-------------

General specifications

Product name	CAEX-02 LED
Application Area	CAEX-02 LED , represent the power supply for the luminaire AV-02C LED II 2G Ex db eb IIC T6 Gb, which is designed for use environments with danger of explosion group II zone1 and 2.
Application	Lighting of environments with danger of explosion group II zone1 and 2.
Protection against dust and water (IP)	IP54
Light source	Led driver specialised according to the standards: IEC 61347-1/ IEC 61347-2-13/ IEC 62384/ CISPR 15/ IEC 61000-3- 2/IEC 61000-3-3/ IEC 61547
Operating temperature range	-20°C÷ +40°C
Warranty	5 years

Electrical specifications

Nominal voltage	230 Vac
Frequency (Hz)	50-60 Hz
Power factor	≥0,95

Technical specifications

Housing and frame	Die-cast aluminum alloys and painted.
Source	The AV-02C LED product consists of a body with the light source and the CAEx-02 LED gear box (ordered separately) – which powers the light source.
Color	yellow

Mounting

- Suspended. Stationary mounting.
- Monophasic connection individually

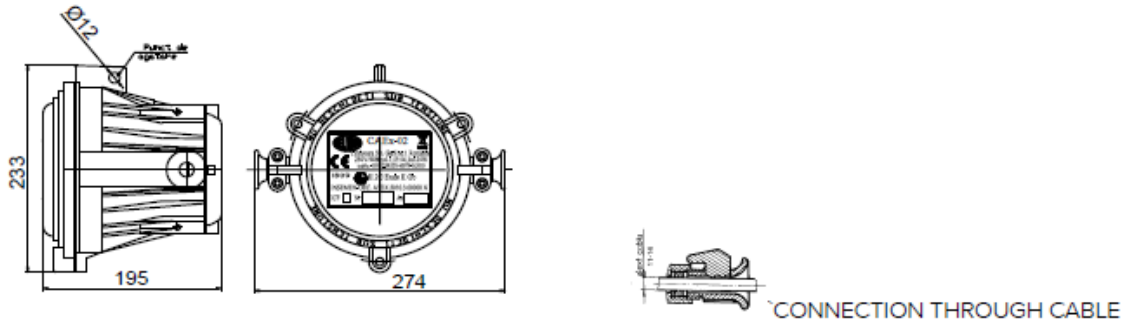
Standards and certifications

Standards	<ul style="list-style-type: none"> – EN IEC 60598-1 – EN IEC 60598-2-1 – EN IEC 60598-2-5.
Certifications	<ul style="list-style-type: none"> – The gear box CAEx-02 LED is manufactured according to the requirements of the standards SR EN 60598-1, SR EN IEC 60079-0: 2018, SR EN 60079-1: 2015, SR EN 60079-7:2016+A1:2018. – Certificate: <ul style="list-style-type: none"> – AV-02C LED: INSEMEX-OEC.ATEX.21.0302 <ul style="list-style-type: none"> o Protection type: II 2G Ex db eb IIC T6 Gb – CAEX-02 LED: INSEMEX-OEC.ATEX.21.0301X <ul style="list-style-type: none"> o Protection type: II 2G Ex db eb IIC T6 Gb

In compliance with European Directives:

- Electromagnetic compatibility directive.
- Low voltage directive.
- RoHS Directive, DEEE Directive.
- ATEX Directive 2014/34/EU "Equipment and protective systems intended for use in explosive atmospheres "

Dimensional characteristics CAEX-02 LED



Product type	D [mm]	l [mm]	h [mm]
Gear box AV-02C (CAEx-02) LED	233	274	195

Annex-product codes

Product type	Product code	Rated voltage [V]	Active power [W]	Power factor	Degree of protection	Class of protection against electric shock	Weight [Kg]	Output voltage dc [V]	Output current dc [A]	Apparent power [VA]
CAEX-02 LED 44,5W	32321154	230	44.4	0.97	IP54	I	5.0	48.77	0.81	46.1VA
CAEX-02 LED 57.5W	32321156	230	57.5	0.98	IP54	I	5.0	49.62	1.17	58.7VA
CAEX-02 LED 64.5W	32321158	230	64.5	0.99	IP54	I	5.0	49.7	1.16	65.7VA

The values are approximate and may be subject to change.

The tolerance of the initial flux and initial active power is $\pm 10\%$ of the specified value. These values are measured at an ambient temperature of 25°C unless another temperature is specified.

ELBA S.A. continuously develops its products. We reserve the right to modify the technical specifications to improve our products, without prior notice or public announcement. © ELBA S.A.