



ECHO**JAZZ** AG
RINGSTRASSE 25
6010 KRIENS
SWITZERLAND
[WWW.ECHO**JAZZ**.COM](http://WWW.ECHOJAZZ.COM)
+41 41 340 18 80
[INFO@ECHO**JAZZ**.COM](mailto:INFO@ECHOJAZZ.COM)

ECHO**AMBIENT**[®] 24MM COCOON DATASHEET

TABLE OF CONTENTS



ECHOAMBIENT® 24MM COCOON	1
TENDER TEXT	3
DATASHEET ECHOBOARD® 24MM	4
COLOURS ECHOBOARD® 24MM	5
DIMENSIONS & PARTS	6
ECHOAMBIENT® 24MM COCOON M	6
INSTALLATION	7
ECHOAMBIENT® COCOON - DIRECT SUSPENSION SET + LIGHT BULB	7
CLEANING & CARE	8

TENDER TEXT



PRODUCT NAME

EchoAmbient® 24mm COCOON

DESCRIPTION

High-performance acoustic pendant luminaire with textile surface made of 100% PET.

The lifestyle ceiling lamp with acoustic lampshade made of recycled PET provides light and a pleasant ambience in meeting areas. The fan-shaped slats cover an area of almost two square metres of class A absorber. The sound in the room is dampened very efficiently and interesting light and shadow effects are created.

The EchoAmbient® enables interior designers to improve the acoustics at the same time as designing the lighting. The E27 socket offers full flexibility in the choice of light source. The lamp with its cocoon-shaped design sets an accent in the room and is available in 2 sizes and many expressive colours.

PRODUCT PROPERTIES

- Compatible with E27 bulbs
- Supply voltage: 230V 50Hz
- Colour consistency: CRI > 81
- Lifetime: 15000 hours
- Energy class F
- Lumen: 806lm
- Light colour: 2500K
- System power: 8W
- Beam angle: 360

ACOUSTIC PERFORMANCE

aw: 1.00

NRC: 0.95

INSTALLATION

- Suitable for use in rooms as well as roofed outdoor areas
- Easily height-adjustable

MATERIAL PROPERTIES

- Extremely robust and shockproof
- Very high colour fastness of the all-round homogeneous textile surface available in over 20 colours
- Flame retardant. B-s1,d0 certified according to EN 13501
- Extremely low volatile organic compounds below < 0.5mg/m2/h, certified according to ASTM D5116
- Formaldehyde emission below < 0.1mg/m2/h, certified according to ASTM D5116
- Dimensionally stable up to 50°C and 95%rH
- Melting point: 250 °C
- Decomposition Temp: > 250 °C
- Alkalinity: pH: 7.8 (pH 7 is neutral)

CLEANING & CARE

Can be cleaned dry and damp with chlorine or hydrogen peroxide.

ENVIRONMENT

- 100% PET with a content of over 50% from recycled PET bottles
- 100% recyclable
- eco-1 rating within eco-bau & Minergie-Eco requirements
- Cradle to Cradle Bronze certified

DISPOSAL

The product is recyclable as part of ECHOJAZZ's stewardship programme.

DATASHEET ECHOBOARD® 24MM



EchoBoard® 24mm is a high quality sound absorber with an aw of up to 1.00 and a NRC of up to 0.95, which can be used for acoustic ceilings, walls, office desks or room dividers.

DESCRIPTION	EchoBoard® 24mm																												
DIMENSIONS	1800mm (± 1mm) x 2400mm (± 1mm)																												
COMPOSITION	100% PET (> 50% recycled PET)																												
PET BOTTLES* PER PANEEL	303 PET Bottles *The number of PET bottles refers to 500ml PET bottles with a bottle weight of 24g.																												
WEIGHT	3600g/m ² (± 10%)																												
MATERIAL THICKNESS	24mm																												
LIGHTFASTNESS ISO 105-B02-1994	> 7																												
FIRE TEST EN 13501	B-s1, d0																												
VOC EMISSIONS ASTM D5116	< 0.5mg/m ² /h																												
FORMALDEHYDE EMISSIONS ASTM D5116	< 0.1mg/m ² /h																												
ENVIRONMENTAL CERTIFICATIONS	eco1 Minergie-Eco Cradle to Cradle Certified® Bronze M1 emission-free materials																												
SOUND ABSORPTION DIN EN ISO 11654 ASTM C423	aw 0.50 (direct mount) aw 0.65 (50mm wall/ceiling distance) aw 1.00 (200mm wall/ceiling distance) NRC = 0.70 (direct mount) NRC = 0.80 (50mm wall/ceiling distance) NRC = 0.95 (200mm wall/ceiling distance)																												
COLOURS	> 20																												
SOUND ABSORPTION GRAPH	<p>The graph plots the Sound Absorption Coefficient (Y-axis, 0.00 to 1.20) against Frequency in Hertz (X-axis, 125 to 4000 Hz). Three data series are shown: direct mount (green line), 50mm distance (yellow line), and 200mm distance (blue line). All series show an overall upward trend, with the 200mm distance series consistently having the highest absorption coefficient across most frequencies.</p> <table border="1"> <caption>Approximate data points from the Sound Absorption Graph</caption> <thead> <tr> <th>Frequency (Hz)</th> <th>Direct mount (Green)</th> <th>50mm distance (Yellow)</th> <th>200mm distance (Blue)</th> </tr> </thead> <tbody> <tr> <td>125</td> <td>0.05</td> <td>0.15</td> <td>0.50</td> </tr> <tr> <td>250</td> <td>0.18</td> <td>0.35</td> <td>0.85</td> </tr> <tr> <td>500</td> <td>0.65</td> <td>0.85</td> <td>1.05</td> </tr> <tr> <td>1000</td> <td>0.95</td> <td>1.05</td> <td>0.95</td> </tr> <tr> <td>2000</td> <td>1.05</td> <td>0.95</td> <td>0.95</td> </tr> <tr> <td>4000</td> <td>1.05</td> <td>0.95</td> <td>0.95</td> </tr> </tbody> </table>	Frequency (Hz)	Direct mount (Green)	50mm distance (Yellow)	200mm distance (Blue)	125	0.05	0.15	0.50	250	0.18	0.35	0.85	500	0.65	0.85	1.05	1000	0.95	1.05	0.95	2000	1.05	0.95	0.95	4000	1.05	0.95	0.95
Frequency (Hz)	Direct mount (Green)	50mm distance (Yellow)	200mm distance (Blue)																										
125	0.05	0.15	0.50																										
250	0.18	0.35	0.85																										
500	0.65	0.85	1.05																										
1000	0.95	1.05	0.95																										
2000	1.05	0.95	0.95																										
4000	1.05	0.95	0.95																										

COLOURS ECHOBOARD® 24MM



ECHOBOARD® 24MM



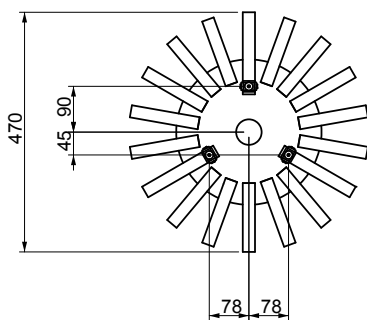
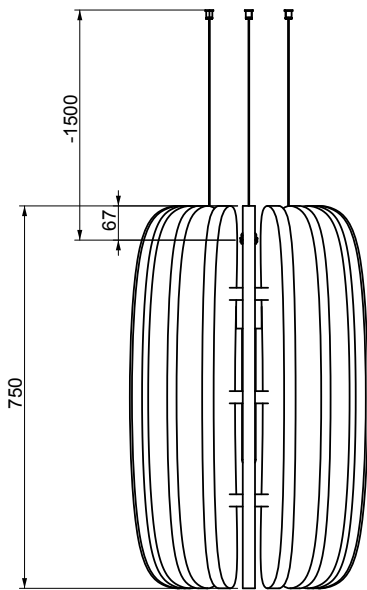
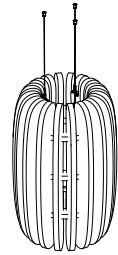
*Discontinued. Colour available from stock while supplies last or on request with a minimum order quantity.



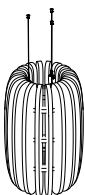
DIMENSIONS & PARTS



ECHOAMBIENT® 24MM COCOON M
1084
Ø470x750mm



PARTS



1x
EchoAmbient® COCOON M

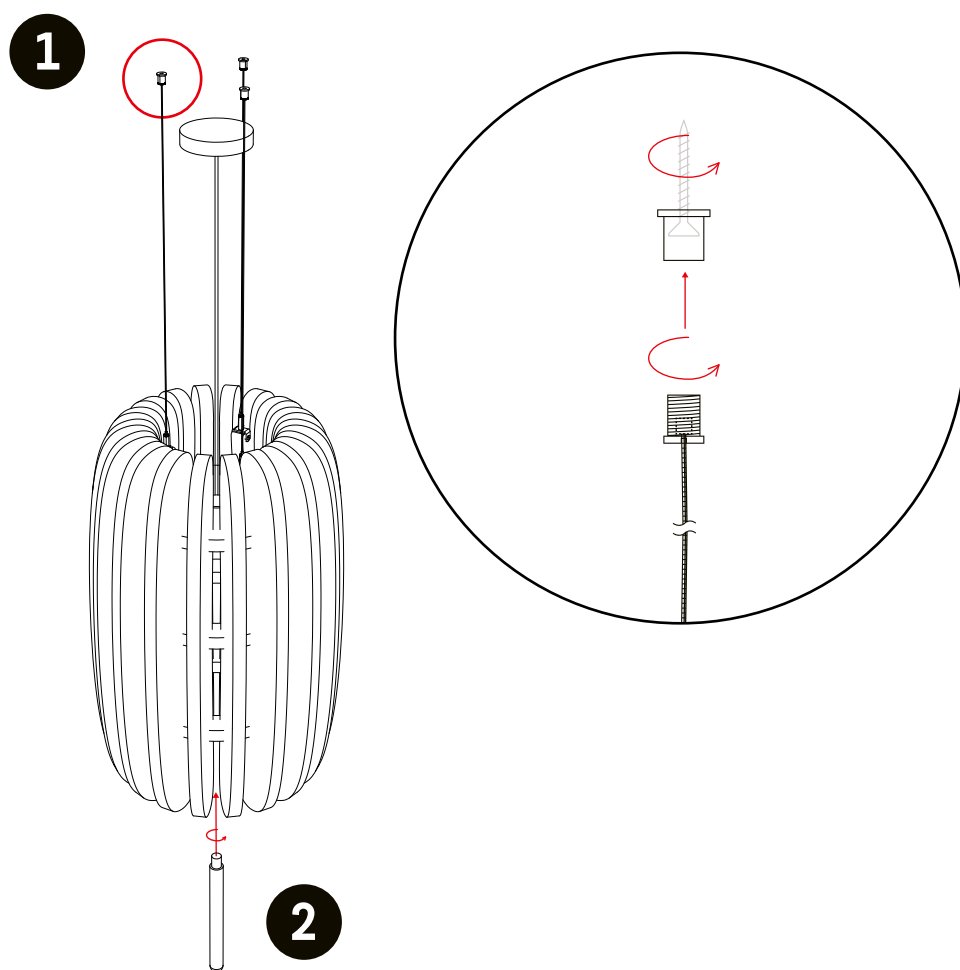


1x
Light bulb
E27 Socket

INSTALLATION



ECHOAMBIENT® COCOON - DIRECT SUSPENSION SET + LIGHT BULB



CLEANING & CARE

SURFACE DISINFECTION

Spray disinfectants can be used for rapid surface disinfection.



DUSTER/VACUUM CLEANER

For dusting use duster or vacuum cleaner.



SPARKLING WATER

For slight contamination apply sparkling water to polluted area. Wipe carefully with a sponge.



UPHOLSTERY CLEANER

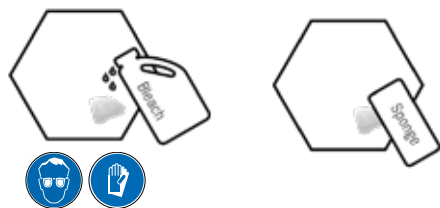
For medium contamination apply upholstery cleaner to polluted area. Wipe carefully with a sponge.



BLEACH

For heavy contamination apply bleach as chlorine or hydrogen peroxide on polluted area. Wipe carefully with a sponge and sparkling water.

Use of protection gloves and glasses is mandatory!



Please make first a cleaning attempt on an inconspicuous spot. Follow the instructions of the cleaning agents.