



# DynaVision Programmable Xtreme for CDO

## HID-DV PROG Xt 150 CDO Q 208-277V

Highly reliable and flexible electronic drivers for CDO lamps; designed to save on energy costs via integrated controls and to reduce maintenance costs thanks to 80,000 hour lifetime and integrated lightning protection. The DynaVision Programmable product family is the perfect basis for any sort of lighting management solution.

### Product data

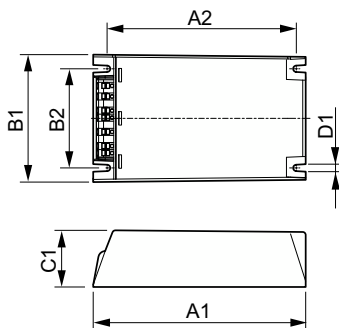
Operating and Electrical		Connector type	WAGO series 804
Input Voltage	208-240-277 V		
Line Frequency	50 to 60 Hz		
Input frequency	50 to 60 Hz		
Power factor 50% load (min.)	0.98		
Earth leakage current (max.)	0.7 mA		
Inrush current width	0.47 ms		
Input current (nom.)	0.77 A		
Inrush current peak (nom.)	52 A		
Number of products on MCB (16 A type B) (nom.)	5		
Surge Protection (Common/Differential)	EN61547 (L-L 2 kV, L-G 4 kV), 10 kV TIL		
Wiring		Temperature	
Cable length from device to lamp	10 m	T-case lifetime (nom.)	80 °C
		Controls and Dimming	
		Control interface	PROG
		Mechanical and Housing	
		Housing	Q
		Net Weight (Piece)	0.820 kg
		Approval and Application	
		Safety standard	IEC 607, 609, 926, 928 [No Standard for HID Lamp drivers exists. Requirements in these standards to be used if considered relevant for the product.]

## DynaVision Programmable Xtreme for CDO

Environmental standard	ISO 14001
Approval marks	F-Marking CE marking ENEC certificate VDE-EMV certificate
CE mark	Yes
Ambient temperature range	-30°C to 55°C
<b>Product Data</b>	
Order product name	HID-DV PROG Xt 150 CDO Q 208-277V
Full product name	HID-DV PROG Xt 150 CDO Q 208-277V
Full EOC	871829166922700

Order code	913700693266
Material no. (12 NC)	913700693266
Local order code	DVPROGXT150CDOQ
Numerator – quantity per pack	1
EAN/UPC – Product/Case	8718291669227
Numerator – packs per outer box	12
EAN/UPC – Case	8718291669234

### Dimensional drawing



Product	D1	C1	A1	A2	B1	B2
HID-DV PROG Xt 150 CDO Q 208-277V	4.5 mm	40.0 mm	150.0 mm	133.6 mm	90.0 mm	70.0 mm

